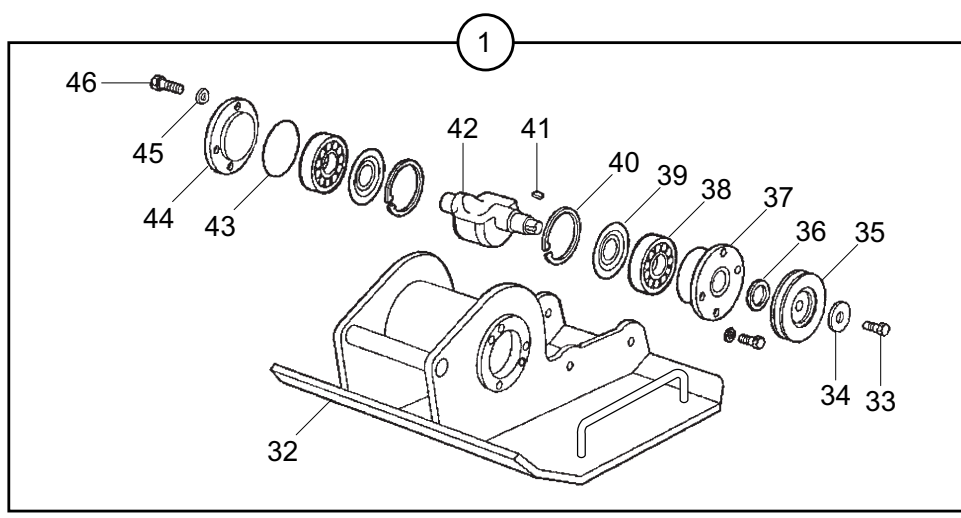
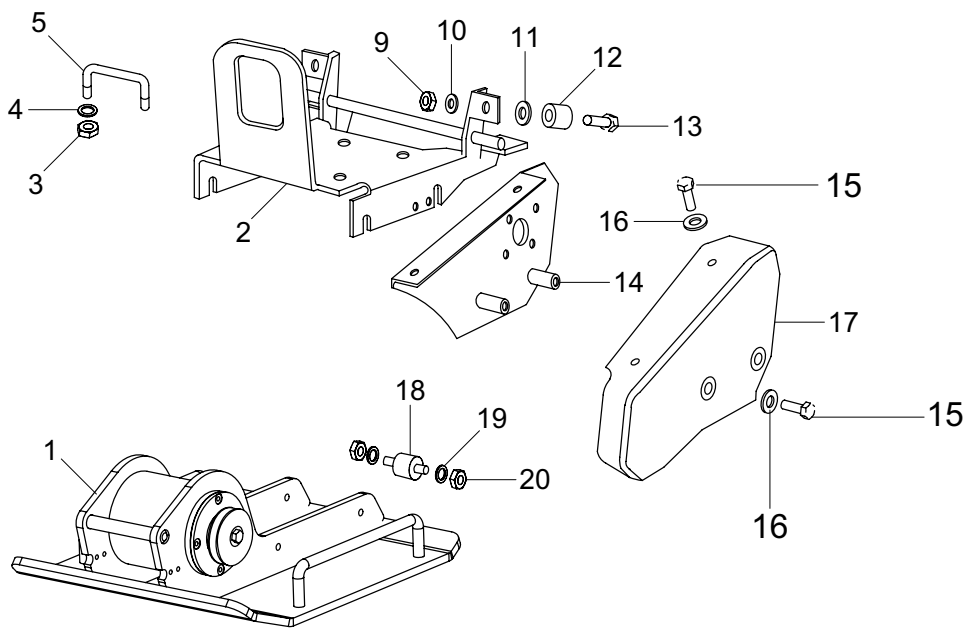
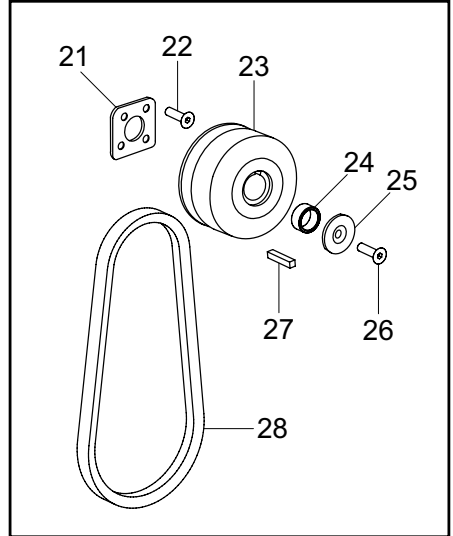
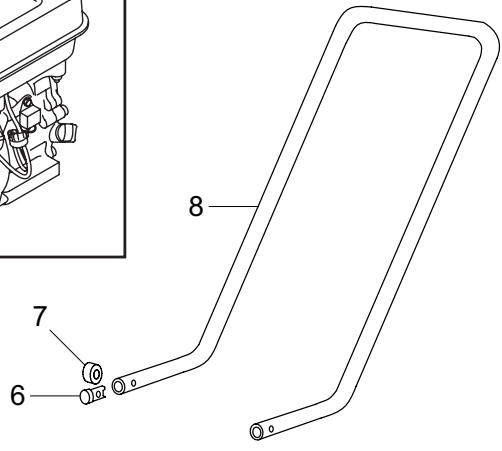
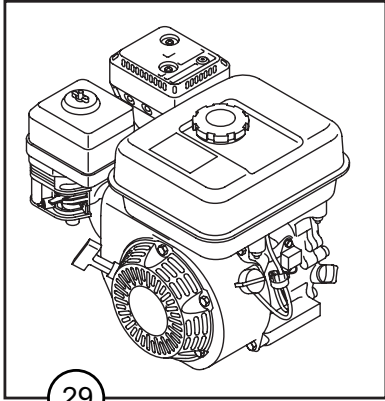


SF460



SF460

ITEM NUMBER ⁽¹⁾	PART NUMBER ⁽²⁾	DESCRIPTION ⁽³⁾
1	164.3.003	BASEPLATE ASSEMBLY
2	164.0.016	ENGINE PLATE
3	164.0.023	NUT - NYLOC
4	164.0.026	WASHER
5	164.0.024	U CLAMP
6	164.0.021	BUSH - PLASTIC
7	164.0.022	BUSH - PLASTIC
8	164.0.020	HANDLE
9	164.0.036	NUT - NYLOC
10	164.0.025	WASHER - FLAT
11	164.0.039	WASHER - FLAT
12	164.0.034	SPACER
13	164.0.035	SETSCREW
14	164.0.030	BELT GUARD - INNER
15	164.0.012	SETSCREW
16	164.0.026	WASHER - FLAT
17	164.0.032	BELT GUARD - OUTER
18	164.0.017	ANTI VIB MOUNTING
19	164.0.019	WASHER - FLAT
20	164.0.018	NUT
21	164.0.055	SPACER - BELT GUARD
22	07.3.101	SCREW CSK SKT HEAD (5/16 X 1")
23	10.7.225	CLUTCH
24	164.0.056	SPACER - CLUTCH
25	164.0.057	WASHER - CLUTCH
26	07.3.101	SCREW CSK SKT HEAD (5/16 X 1")
27	06.8.001	KEY (3/16"SQ)
28	164.0.029	BELT
29	29.1.129	ENGINE GX160 HONDA
30	21.0.149	EXHAUST (NOT SHOWN)
31	21.0.140	SCREW (NOT SHOWN)
32	164.0.001	BASEPLATE
33	164.0.013	SETSCREW
34	164.0.015	WASHER - FLAT
35	164.0.007	PULLEY
36	164.0.006	OIL SEAL
37	164.0.003	COVER - PULLEY
38	164.0.005	BEARING
39	164.0.008	NILOS RING
40	164.0.009	CIRCLIP
41	164.0.011	KEY
42	164.0.002	ECCENTRIC SHAFT
43	164.0.010	O - RING
44	164.0.004	COVER - BLIND
45	164.0.025	WASHER
46	164.0.014	SETSCREW

(1) **Item Number** / numéro sur le schéma / número de la ilustración / número da ilustração / afbeeldingsnummer / tegningsnummeret / Teil-Nummer / numero dell'illustrazione

(2) **Part Number** / Numéro de référence de la pièce / número de pieza / número da parte / stuknummer / Styknummer / Nummer auf der Abbildung / numero di parte

(3) **Description** / Désignation / Descripción / Descrição / Omschrijving / Beskrivelse / Bezeichnung / Descrizione