



FLOATS AND TOOLS



- Spare Parts Book

6



Contents

Slab Surface Floating	2
Choosing a Float	2
Placer and Rake	2
Technical Data	2
Description	3
Warranty	4

Belle Group reserves the right to change machine specification without prior notice or obligation.



Slab Surface Floating

The screeding process will leave slight ripples on the concrete surface. For some applications this is acceptable as the texture can increase the effective slip resistance on slopes and ramps.

Screeding with vibration also causes a less desirable effect. The intensity of vibration at the surface can cause a separation of the aggregate and cement. The heavier particles including the sand sink below the surface leaving a thin layer of brittle cement on the surface. This is often referred to as 'laitance' or 'fat'

When the concrete is still in a plastic state the surface can be re-mixed and surface irregularities smoothed out using a float.

This process is quick and easy if the right tools are used. A wide float blade is pushed and pulled across the slab using a long handle so the operator can work the slab from the sides.

Floats can also incorporate a brush to reintroduce a texture to the concrete surface.



Choosing A Float

Choice is often down to contractor preference. The well know 'Easy float' is often requested but all floats do a similar job. The higher weight of a steel float enables a slab to be worked slightly later in the curing process and some contractors prefer more rounded edges. All the Belle floats are fitted with twist to tilt brackets on the blade so the blade can be angled easily for pushing and pulling across the slab.

3 handle sections are included to allow reach of over 5.5m, additional handles can be added if required.



Placer and Rake

These are not floats but as hand tools they are included in this section.

These tools speed up the placing of concrete. They are designed to allow operators to push and pull wet concrete to the right levels, unlike a shovel which is designed for lifting. A concrete rake or placer can be up to five times faster and a lot less effort than a shovel.



Technical Data

Model	Width (mm)	Depth (mm)	Total Handle Length (m)	Weight (Kg)
Easy Bull Float (c/w Swivel and Handles)	1200	200	5.4	9.6
Easy Bull Float (c/w Swivel, No Handles)	1200	200	N/A	6
Big Blue Float (c/w Swivel and Handles)	1200	300	5.4	14.7
Big Blue Float (c/w Swivel, No Handles)	1200	300	N/A	11.1
Fresno Broom (c/w Swivel and Handles)	900	220	5.4	8.4
Fresno Broom (c/w Swivel, No Handles)	900	220	N/A	8.4
Concrete Placer	495	115	N/A	2
Concrete Rake	570	130	N/A	2

The Floats and Hand Tools are used to smooth and improve the surface of the concrete. Just twist the long handle and swivel head angles the blade for pushing and pulling across the surface.

Below are all models which are included in our Floats and Hand Tools range:-

Floats

Bull Float

The Bull Float includes a lightweight Magnesium Alloy blade with reinforcement to prevent warping. There are rounded corners on the float head to reduce 'track marks' when floating and the robust heavy duty design is ideal for tough site conditions and rental fleets.

Big Blue

The Big Blue includes a tempered 'blue' steel blade that achieves an ultra fine finish. Extra rounded corners on the float head prevent 'track marks' when floating and the 'sprung' steel blade glides over concrete even when still reasonably wet.

Fresno Broom

The Fresno Broom is a special combination float for applying a consistent brushed 'non slip' finish to concrete. The broom attachment is 'floated' across the concrete surface using a steel blade. It is pushed over the concrete to improve surface consistency and then pulled back across to apply the brush finish. A Softer brush is also available as a spare part.

Hand Tools

Concrete Placer

The Concrete Placer is a special 'rake' style tool that makes it easy to drag concrete when slab pouring. It includes a Double edge blade - One side is for moving high volumes of material and the other for small surface adjustments. This reduces the effort required compared to using conventional rakes and shovels. Can also be used as a small surface tamper.

Concrete Rake

The Concrete Rake is a special 'rake' style tool that makes it easy to drag concrete when slab pouring. It includes a Double edge blade - One side is for moving high volumes of material and the other for small surface adjustments. This reduces the effort required compared to using conventional rakes and shovels. Can also be used as a small surface tamper.





Warranty

Your new Belle Group 'Floats and Hand Tools' are warranted to the original purchaser for a period of one-year (12 months) from the original date of purchase. The Belle Group warranty is against defects in design, materials and workmanship.

The following are not covered under the Belle Group warranty:

1. Damage caused by abuse, misuse, dropping or other similar damage caused by or as a result of failure to follow assembly, operation or user maintenance instructions.
2. Alterations, additions or repairs carried out by persons other than Belle Group or their recognised agents.
3. Transportation or shipment costs to and from Belle Group or their recognised agents, for repair or assessment against a warranty claim, on any machine.
4. Materials and/or labour costs to renew, repair or replace components due to fair wear and tear.

Belle Group and/or their recognised agents, directors, employees or insurers will not be held liable for consequential or other damages, losses or expenses in connection with or by reason of or the inability to use the machine for any purpose.

Warranty Claims

All warranty claims should firstly be directed to Belle Group, either by telephone, by Fax, by Email, or in writing.

For warranty claims:

Belle Group Warranty Department,
Unit 5, Bode Business Park
Ball Haye Green
Leek
Staffordshire
ST13 6BW.
England.

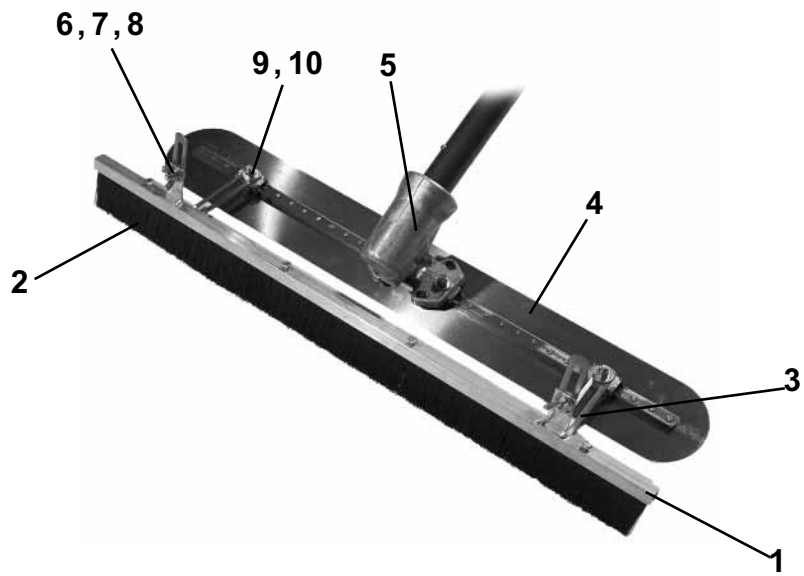
Tel : +44 (0)1538 380000

Fax : +44 (0)1538 380038

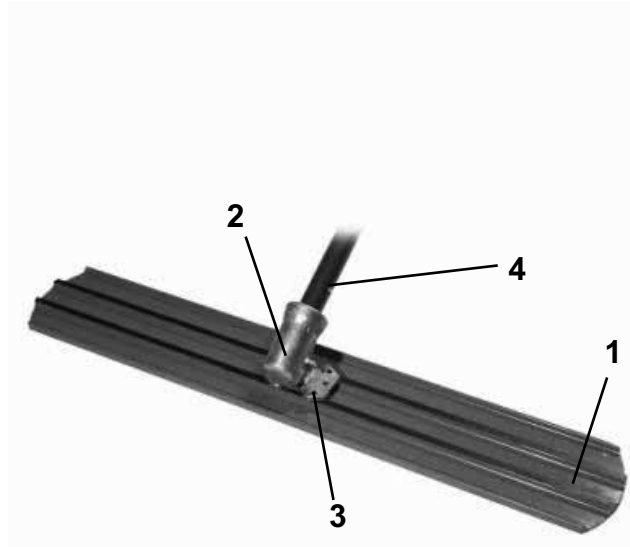
Email : warranty@belle-group.co.uk

Floats

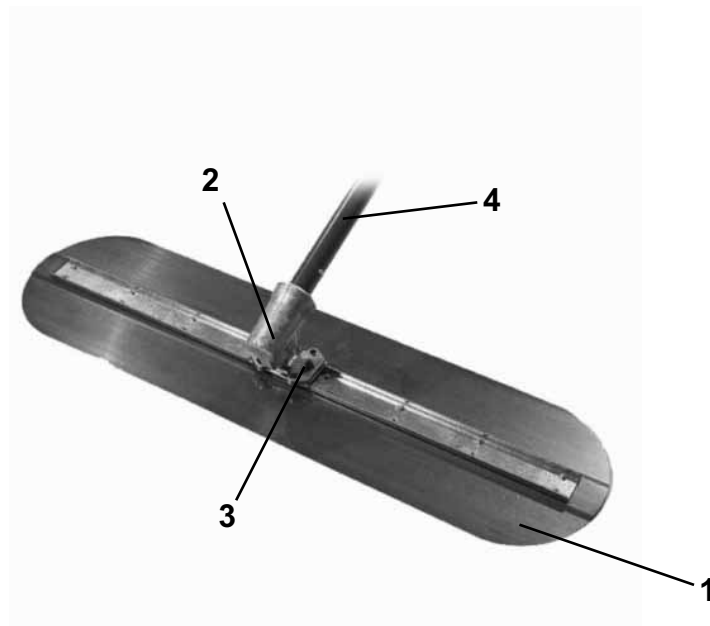
Fresno Broom



Bull Float



Big Blue



Floats

Fresno Broom

Item (1) Number	Part No. (2)	Description (3)	Quantity (4)
1	50003	Replacement Strip	1
2	50008	Brush c/w Mounting Brackets	1
3	50005	L -Shaped Mounting Brackets	2
4	50006	Spare Blade	1
5	50000	Knuckle Head	1
6	00.0.861	Coach Bolt	2
7	01.0.500	Wing Nut	2
8	05.7.060	Repair Washer	2
9	05.7.068	Washer	4
10	01.4.100	Nyloc Nut	4
	50020	Single Handle	1
	50011	Set of 3 Handles	1
	50041	Fresno Broom Brush and Blade	1
	50012	Handle Clip	1
	50013	Male Connector (c/w Handle Clip)	1

Bull Float

Item (1) Number	Part No. (2)	Description (3)	Quantity (4)
1	50021	Bull Float Blade	1
2	50000	Knuckle Head	1
3	02.4.037	Setscrew	2
4	50010	Single Handle	1
	50011	Set of 3 Handles	1
	50012	Handle Clip	1
	50013	Male Connector (c/w Handle Clip)	1

Big Blue

Item (1) Number	Part No. (2)	Description (3)	Quantity (4)
1	50031	Big Blue Blade	1
2	50000	Knuckle Head	1
3	01.4.002	Nut	2
4	50010	Single Handle	1
	50011	Set of 3 Handles	1
	50012	Handle Clip	1
	50013	Male Connector (c/w Handle Clip)	1

(1) **Item Number** / numiro sur le schima / número de la ilustración / número da ilustração / afbeeldingsnummer / tegningsnummeret / Teil-Nummer / numero dell'illustrazione

(2) **Part Number** / Numiro de nfirérence de la piéce / número de pieza / número da parte / stuknummer / Styknummer / Nummer auf der Abbildung / numero di parte

(3) **Description** / Disignation / Descripción / Descrição / Omschrijving / Beskrivelse / Bezeichnung / Descrizione

(4) **Quantity** / Quantiti / Cantidad / Cantidade / Hoeveelheid / Mengen / Mængde / Quantitü



No.1 for Light Construction Equipment

www.BelleGroup.com

Belle Group Head Office
Sheen, nr. Buxton
Derbyshire. SK17 OEU GB.
Tel: +44 (0)1298 84000
Fax: +44 (0)1298 84722
email: sales@belle-group.co.uk

Belle Group France
70, av du Général de Gaulle
94022 Creteil, Cedex.
FRANCE
Tel: +33 (0) 1 49 81 68 32
Fax: +33 (0) 1 43 39 94 40
Ventes : 0800 902 461
SAV : 0800 905 336
SAV Fax : 0800 909 895

Belle Equipos SL
Calle Doctor Calero Cial 19,
Local 22, 28220 Majadahonda
Madrid, Spain
Tel: +34 (0) 91 636 2043
Fax: +34 (0) 91 634 1535
email: belleequipos@belleequipos.com

Belle Group Deutschland
Husumer Straße 45 a,
D-33729,
Bielefeld
Deutschland
Tel : +49(0) 5217 707505
Fax : +49 (0) 5217 707506
Sales: 0800 1808069
Spares: 0800 1816673

Belle Poland sp. z.o.o.
96-200 Rawa Mazowiecka
Ul. Mszczonowska 36,
Polska
Tel: +48 (0) 46 8144091
Fax: +48 (0) 46 8144700

Belle Group Portugal
Rua Laura Alves, 225, 2° F
2775-116 Parede
Portugal
Tel: +35 1 (21) 453 59 91
Fax: +35 1 (21) 453 59 91

Belle Group Netherlands
Tel: 0800 249861

Belle Group Belgium
Tel: 0800 80295

Belle Group Austria
Tel: 0800 291544

Belle Group Russia
64 Nevsky pr.
St, Petersburg
Russia
Tel : +7(812)314-81-34
Moscow : +7(495)589-64-32

Belle Group South East Asia
21, Jalan Ara AD 7/3B,
Pandar Sri Damansara
S2200 Kuala Lumpur, Malaysia
Tel: +60 (0) 3 62721678
+60 (0) 3 6272 9308
Fax: +60 (0) 3 6272 9528

Belle Group (GB), Shanghai Office
Room 213, Zhonghuang Building,
1007 Zhongshan Nan Er Road,
Xuhui, Shanghai 200030 China
Tel: 00 - 86 - 21 - 5461 5228
Mobile: 00 - 86 - 133 8172 2653
Fax: 00 - 86 - 21 - 5461 5369
email: morgan.liu@bellegroup.com.cn

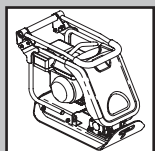
Belle Group Inc
3959 Electric Rd
Roanoke
Suite 360
VA 24018. USA.
Tel: +1.540.345.5090
Fax: +1.540.345.5091
Toll free 866 540 5090
e-mail: sales@bellegroup.net



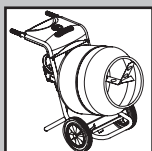
Belle Group World Parts Centre
Unit 5, Bode Business Park
Ball Haye Green,
Leek,
Staffordshire,
ST13 8BW
Tel: 44+ 1538 380000
Fax: 44+ 1538 380038

www.BelleGroup.com

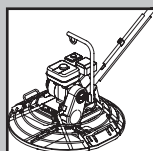
No.1 for Light Construction Equipment



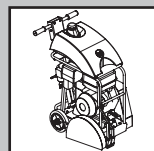
COMPACTING...



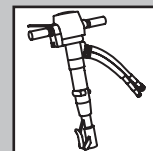
MIXING...



CONCRETING...



CUTTING...



BREAKING...



MOVING