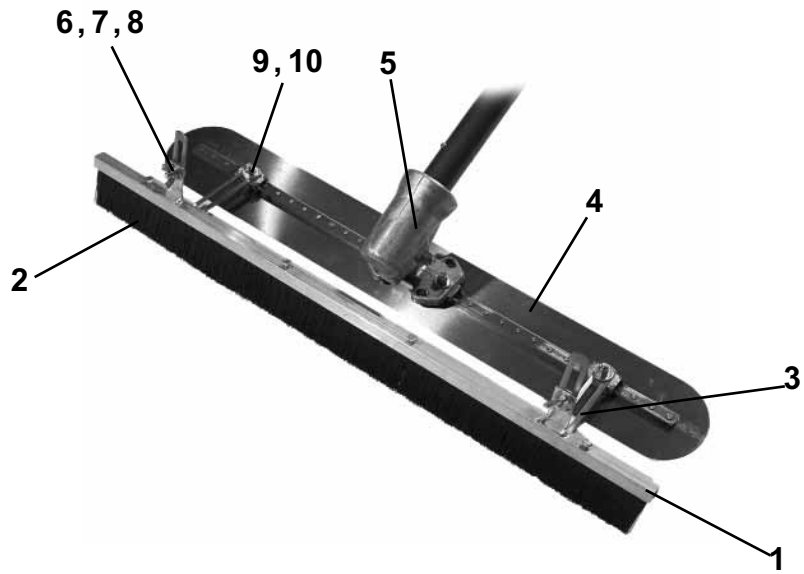
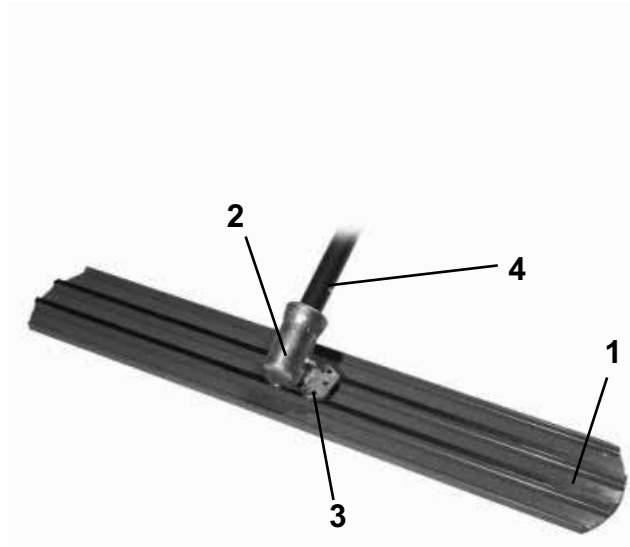


Floats

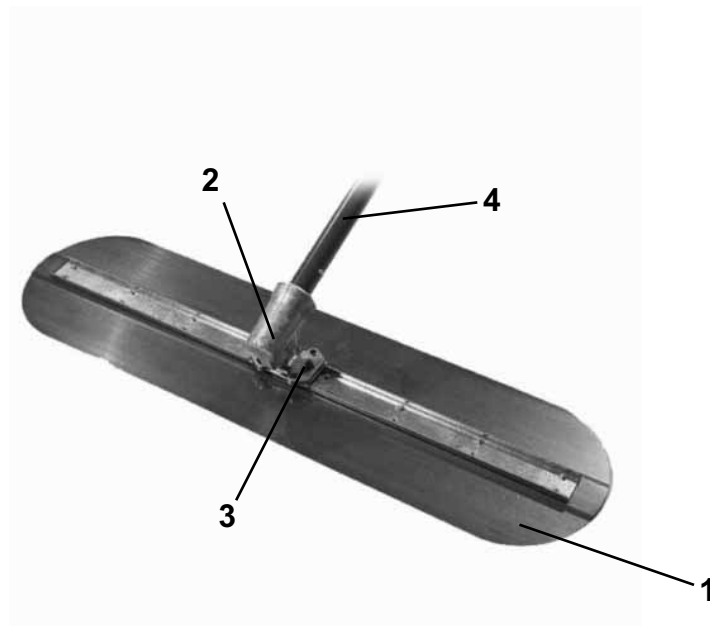
Fresno Broom



Bull Float



Big Blue



Floats

Fresno Broom

Item (1) Number	Part No. (2)	Description (3)	Quantity (4)
1	50003	Replacement Strip	1
2	50008	Brush c/w Mounting Brackets	1
3	50005	L -Shaped Mounting Brackets	2
4	50006	Spare Blade	1
5	50000	Knuckle Head	1
6	00.0.861	Coach Bolt	2
7	01.0.500	Wing Nut	2
8	05.7.060	Repair Washer	2
9	05.7.068	Washer	4
10	01.4.100	Nyloc Nut	4
	50020	Single Handle	1
	50011	Set of 3 Handles	1
	50041	Fresno Broom Brush and Blade	1
	50012	Handle Clip	1
	50013	Male Connector (c/w Handle Clip)	1

Bull Float

Item (1) Number	Part No. (2)	Description (3)	Quantity (4)
1	50021	Bull Float Blade	1
2	50000	Knuckle Head	1
3	02.4.037	Setscrew	2
4	50010	Single Handle	1
	50011	Set of 3 Handles	1
	50012	Handle Clip	1
	50013	Male Connector (c/w Handle Clip)	1

Big Blue

Item (1) Number	Part No. (2)	Description (3)	Quantity (4)
1	50031	Big Blue Blade	1
2	50000	Knuckle Head	1
3	01.4.002	Nut	2
4	50010	Single Handle	1
	50011	Set of 3 Handles	1
	50012	Handle Clip	1
	50013	Male Connector (c/w Handle Clip)	1

(1) **Item Number** / numiro sur le schima / número de la ilustración / número da ilustração / afbeeldingsnummer / tegningsnummeret / Teil-Nummer / numero dell'illustrazione

(2) **Part Number** / Numiro de nfirérence de la piéce / número de pieza / número da parte / stuknummer / Styknummer / Nummer auf der Abbildung / numero di parte

(3) **Description** / Disignation / Descripción / Descrição / Omschrijving / Beskrivelse / Bezeichnung / Descrizione

(4) **Quantity** / Quantiti / Cantidad / Cantidade / Hoeveelheid / Mengen / Mængde / Quantitü